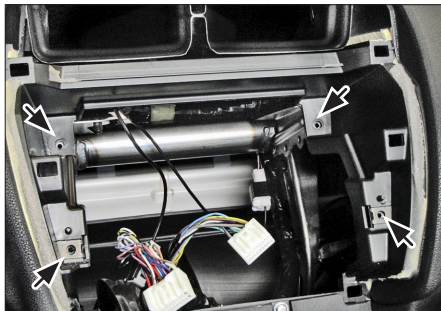




- Clean sticker areas of facia plate  
Attach replacement stickers for  
**PASSENGER** (right)  
**PASSENGER AIRBAG OFF** (left)  
on double DIN facia plate (see arrows)



- Attach metal mounting brackets to double DIN Navigation  
Connect all required circuit points



- Connect all required circuit points  
Place navigation and fix it (see arrows)



- Connect hazard light switch connector and other required connections  
Place facia plate until it snaps in

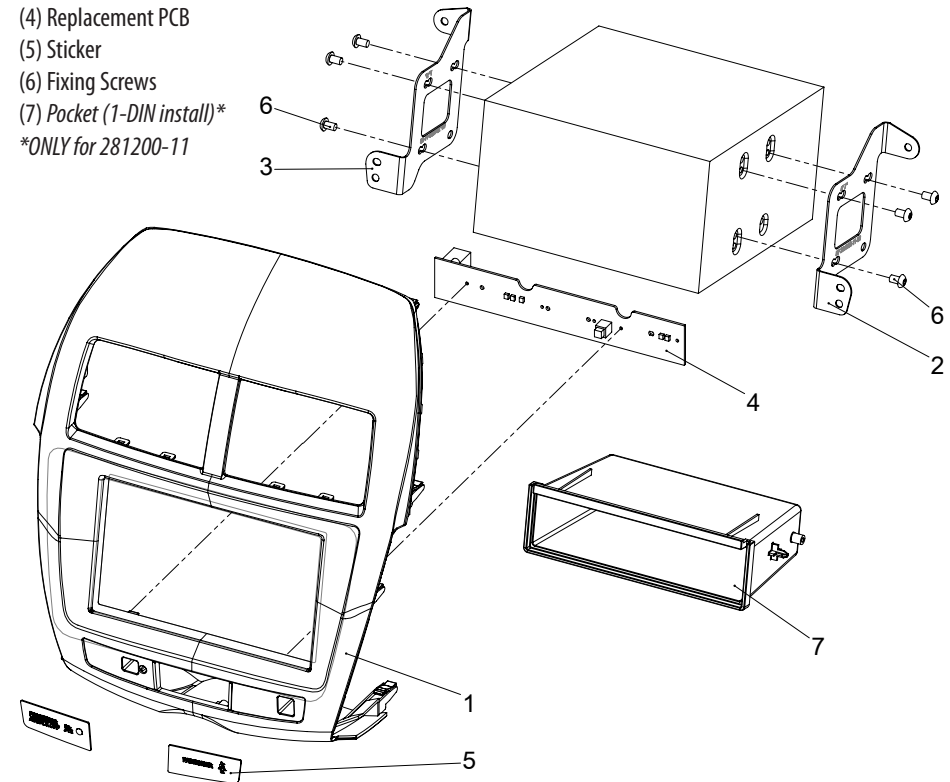


## Installation Manual Double DIN Kit

make / type	colour	part-no.:
• Mitsubishi ASX 06/2010->	black	381200-11
• Mitsubishi ASX 06/2010->	black	281200-11 (with pocket)
• Citroën C4 Aircross Type B 06/2012-> • Peugeot 4008 Type B 06/2012->	black-nacre (piano-optic)	381200-11-2

### Double DIN Kit contents

- (1) Facia Plate
  - (2) Mounting Bracket Right
  - (3) Mounting Bracket Left
  - (4) Replacement PCB
  - (5) Sticker
  - (6) Fixing Screws
  - (7) Pocket (1-DIN install)\*
- \*ONLY for 281200-11



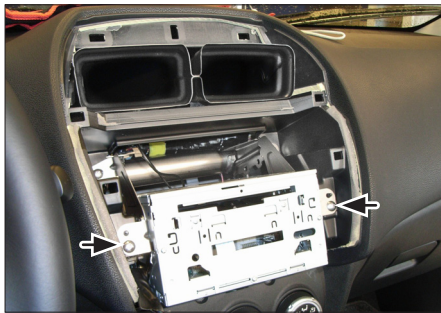
## Installation Manual Double DIN Kit Mitsubishi ASX



1. Mitsubishi ASX with OEM-Radio

Unclip OEM center panel  
Unplug cables carefully

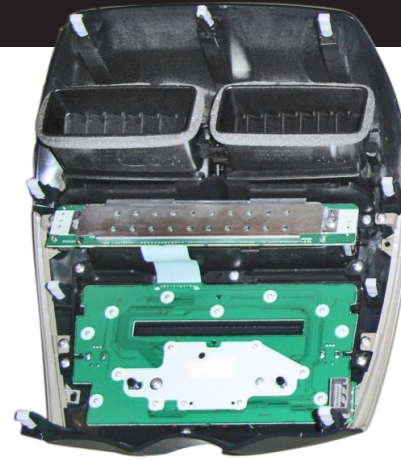
Remove OEM center panel



2. Remove OEM Radio/CD device

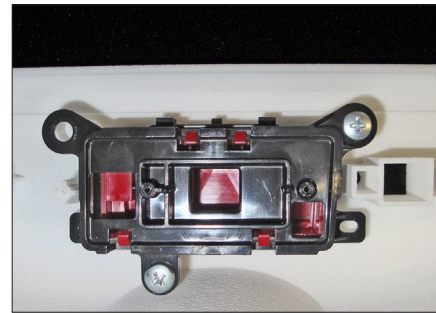


3. Dashboard with removed OEM Radio/CD device



4. Dismount air vents left and right. Remove OEM circuit board (PCB).

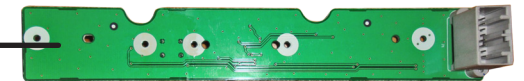
Dismount hazard light switch  
Dismount silver side panels  
Dismount clips



5. Mount hazard light switch to facia plate



6. Mount
- OEM air vents
  - OEM silver side panels
  - replacement PCB to facia plate



*All installation work must be performed by a qualified professional installer only.  
The manufacturer / dealer is not liable for any kind of incidental or indirect damages.*